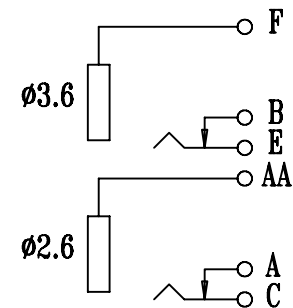
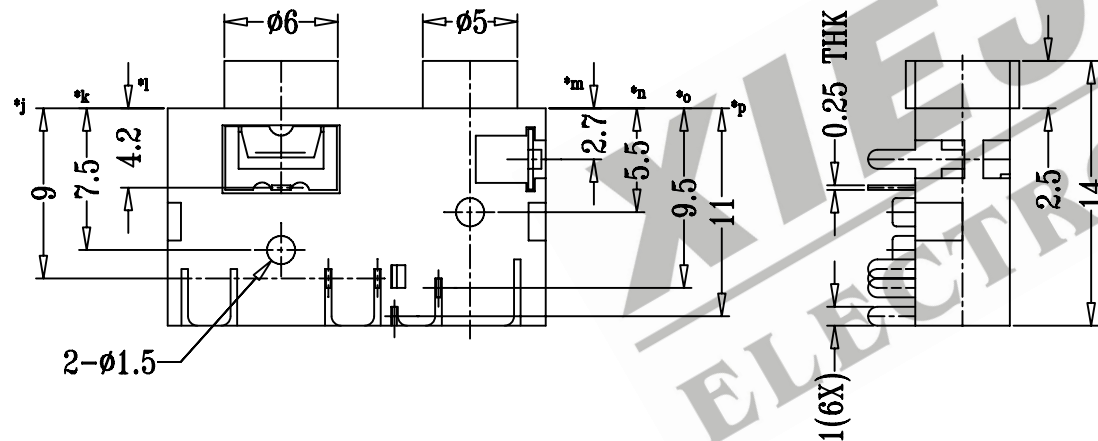
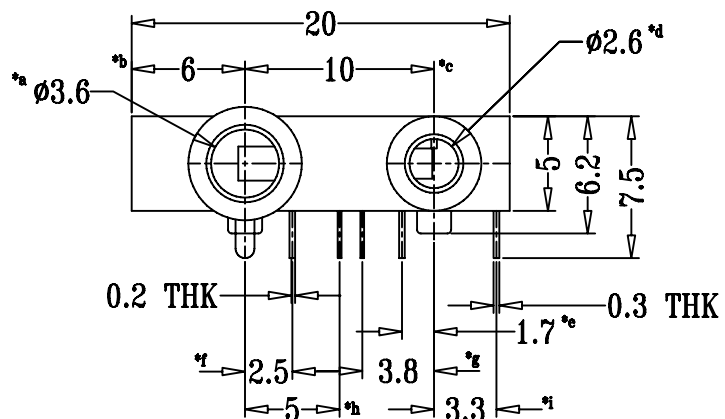
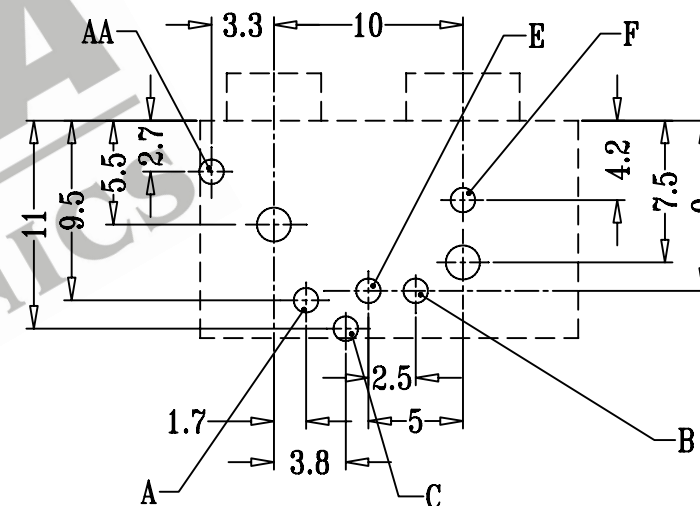


CAD FILE:



**SCHMATIC**



**P.C.B LAYOUT**

注: "\*"表示关键尺寸 (16个)

9	CASE	NYLON66+94V0	1	BLACK	TOLERANCE UNLESS SPECIFIED	SHENZHEN XIEJIA ELECTRONICS CO.,LTD.				
8	SPRING TERMINAL AA	PBS STRIP	1	Ag PLATED OVER Ni PLATED						
7	SPRING TERMINAL BB	STAINLESS STEEL	1	Ag PLATED OVER Ni PLATED	WITHIN: 1.5±0.1mm OVER : 1.5±0.2mm	ISSUE	DATE	DESCRIPTIONS		APPD.
6	SPRING TERMINAL C	STAINLESS STEEL	1	Ag PLATED OVER Ni PLATED		TITLE : PHONE JACK				
5	SPRING TERMINAL E	STAINLESS STEEL	1	Ag PLATED OVER Ni PLATED	MODEL: ST-171-04					
4	TERMINAL B	BRASS STRIP	1	Ag PLATED OVER Ni PLATED	UNIT : MM	DRWG NO.: XJ-DR-ST171-04				
3	TERMINAL A	BRASS STRIP	2	Ag PLATED OVER Ni PLATED	SCALE: 5:2	DWN.	ZHOUYU	2005-6-7		
2	SPRING TERMINAL D	STAINLESS STEEL	1	Ag PLATED OVER Ni PLATED		CHK'D	FANGYING	2005-6-7		
1	SPRING TERMINAL F	PBS STRIP	1	Ag PLATED OVER Ni PLATED	ALL MATERIALS MUST BE COMPLIANT TO ROHS					
NO.	PARTS	MATERIALS	Q'TY	FINISH	APPD.	KANGXINAN	2005-6-7			